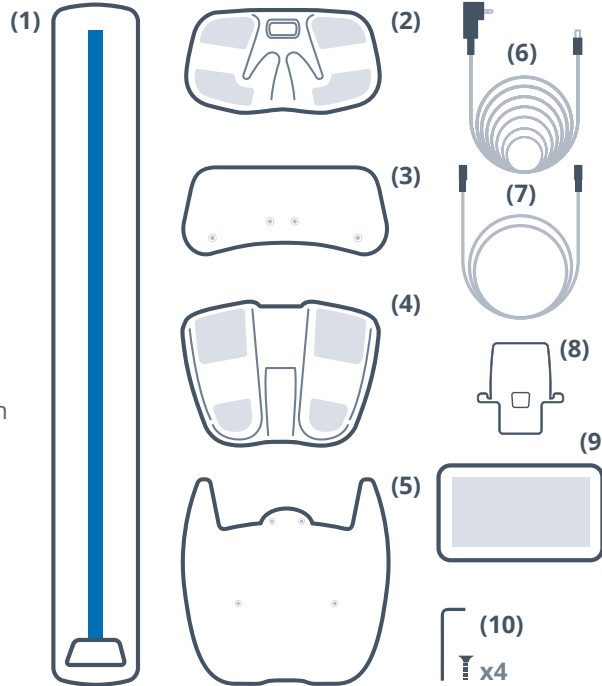
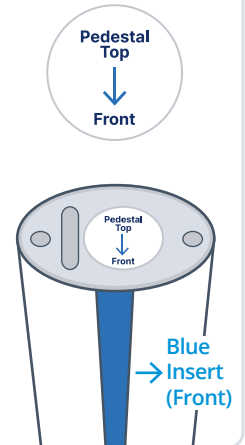


**1 Identify components**

1. SOZOsupport Stand
2. SOZOtouch
3. Handplate
4. SOZOstep
5. Footplate
6. Power Adaptor
7. SOZOconnect Cable
8. SOZOcradle
9. Tablet including the SOZO application
10. Screws and hex key for stand



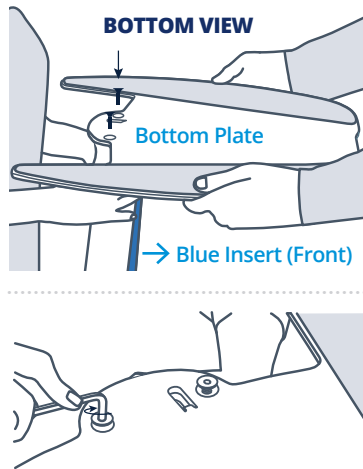
**2 Identifying which end is the top of the pedestal**



**3 Screw the footplate (5) into the base of the SOZOsupport Stand (1).**

**\*NOTE:** It is recommended that two people take part in assembling the stand in order to make the process quicker, easier and safer.

Have one person hold the stand with the base upward. Have the second person hold the footplate on the stand while the first person attaches the plate using the hex key (10).



**5 Lace the SOZOconnect cable (7) through the SOZOsupport Stand (1).**

Feed the SOZOconnect cable through the droplet hole on the back of the stand and out the front hole at the base of the stand.

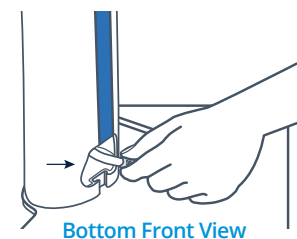
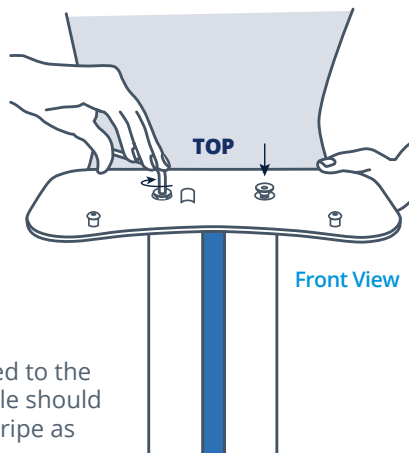


**4 Screw the handplate (3) into the top of the SOZOsupport Stand (1).**

**a.** Place the handplate on the top of the SOZOsupport Stand with the mounting screws facing up.

**b.** Using the hex key (10), attach the handplate with the remaining screws provided.

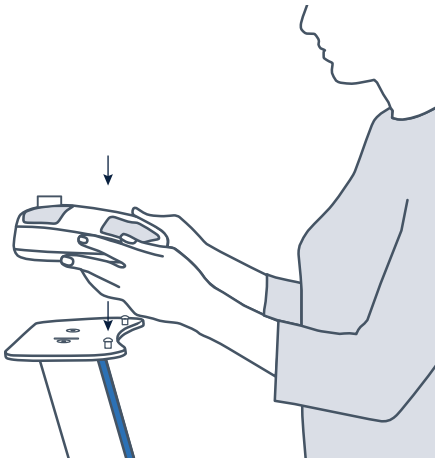
**\*NOTE:** Once both plates are connected to the SOZOsupport Stand, the large drop hole should be near the top opposite of the blue stripe as shown in top graphic of step 4.



**\*NOTE:** The connector cable port is identical on both the hand plate and foot plate.

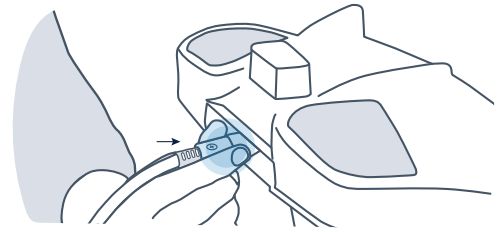
## 6 Attach the SOZotouch (2) to the handplate (3).

Place the SOZotouch onto the mounting screws and push forward to lock into place.



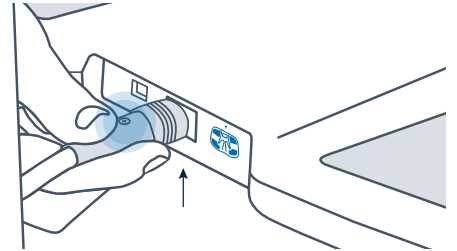
## 7 Attach the SOZOconnect cable (7) to the SOZotouch (2).

Ensure the screw on the connector cable is facing upwards before attaching it to the SOZotouch.



## 8 Attach the SOZOconnect cable (7) to the SOZOstep (4).

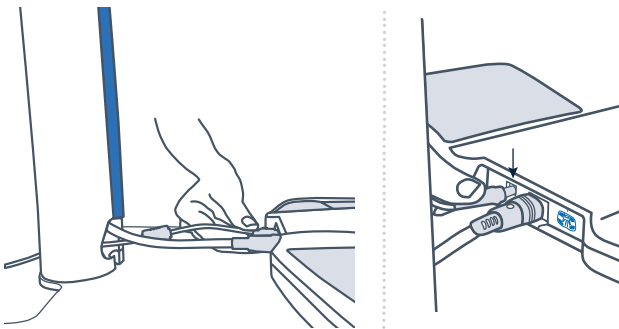
Ensure the screw on the connector cable is facing upwards before attaching it to the SOZOstep.



## 9 Connect the power cord (6) to the SOZOstep (4).

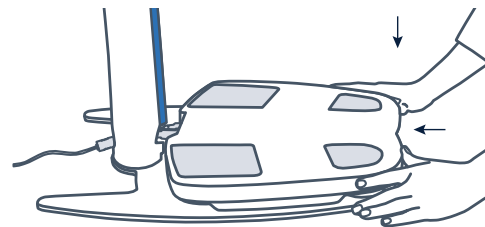
**\*NOTE:** Ensure the SOZOconnect cable is plugged into both the SOZotouch and SOZOstep before connecting the power cord to the SOZOstep.

Locate the power supply port on the back of the SOZOstep. Feed the corresponding end of the power supply cable through the openings in the bottom of the stand and connect it into the port.



## 10 Attach the SOZOstep (4) to the footplate (5).

a. Place the SOZOstep onto the mounting screws and push forward to lock into place.



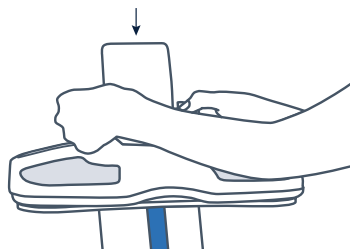
b. Once the SOZOstep is in place, plug the power cord into the wall.



**\*NOTE:** Please ensure there is 4 inches or 10 centimeters between the backside of SOZotouch and any wall.

## 11 Attach the SOZOcradle (8) to the SOZotouch (2).

Once the cradle is secure, place the tablet (9) in a landscape position on the SOZOcradle.



## 12

**Set-Up Complete.**